

Sierra Steel-Mass™ Model 640S Insertion Mass Flow Meter



Instruction Manual

Part Number: IM-64S, Rev. D.2, 3/12



SIERRA[®]
EXPERIENCE OUR PASSION FOR FLOW!

GLOBAL SUPPORT LOCATIONS: WE ARE HERE TO HELP!

CORPORATE HEADQUARTERS

5 Harris Court, Building L Monterey, CA 93940
Phone (831) 373-0200 (800) 866-0200 Fax (831) 373-4402
www.sierrainstruments.com

EUROPE HEADQUARTERS

Bijlmansweid 2 1934RE Egmond aan den Hoef
The Netherlands
Phone +31 72 5071400 Fax +31 72 5071401

ASIA HEADQUARTERS

Rm. 618, Tomson Centre, Bldg A, 188 Zhang Yang Road
Pu Dong New District, Shanghai, P.R. China
Phone: + 8621 5879 8521 Fax: +8621 5879 8586

IMPORTANT CUSTOMER NOTICE- OXYGEN SERVICE

Sierra Instruments, Inc. is not liable for any damage or personal injury, whatsoever, resulting from the use of Sierra Instruments standard mass flow meters for oxygen gas. You are responsible for determining if this mass flow meter is appropriate for your oxygen application. You are responsible for cleaning the mass flow meter to the degree required for your oxygen flow application.

© COPYRIGHT SIERRA INSTRUMENTS 2012

No part of this publication may be copied or distributed, transmitted, transcribed, stored in a retrieval system, or translated into any human or computer language, in any form or by any means, electronic, mechanical, manual, or otherwise, or disclosed to third parties without the express written permission of Sierra Instruments. The information contained in this manual is subject to change without notice.

TRADEMARKS

Steel-Trak™ and Smart Interface™ software are trademarks of Sierra Instruments, Inc. Other product and company names listed in this manual are trademarks or trade names of their respective manufacturers.

Revision C: clarify instructions for current zero and current span adjustments, add information on non-isolated 4-20mA outputs, add maximum temperature for probe mounted electronics, add cable resistance value in Sensor Validation procedure.

Table of Contents

Chapter 1 Introduction

Series 640S Steel-Mass™ Mass Flow Meters	1-1
Using this Manual	1-1
Note and Safety Information	1-2
Receipt of System Components	1-2
Technical Assistance	1-2
The Series 640S Flow Sensing Principle	1-3
Smart Electronics Features	1-4
Enclosure Options	1-5
Smart Interface Software	1-5

Chapter 2 Installation and Wiring

Installation Overview	2-1
Unobstructed Flow Requirements	2-2
Installing the Flow Meter	2-3
Cold Tap Installation	2-3
Hot Tap Installation	2-4
Changing Display Orientation	2-6
Wiring Connections	2-7
Input Power Wiring	2-8
Output Signal Wiring	2-10
Alarm Output Wiring	2-13
Remote Sensor Probe Wiring	2-15
Range Selection Wiring	2-17

Chapter 3 Operating Instructions

Flow Meter Start Up	3-1
Using the Smart Electronics Basic Features	3-2
Hazardous-Area Enclosure Optional LCD Display	3-2
LCD Display Programming Menu	3-3
Single-Digit LED Programming Menu	3-4
Entering Alarm Parameters	3-5
K-factor Adjustment	3-6
User Full Scale Adjustment	3-7
Time Response Delay Adjustment	3-8
Totalizer Reset	3-9
Using the Smart Electronics Advanced Features	3-10
Voltage Zero Adjustment	3-10
Voltage Span Adjustment	3-10
Current Zero Adjustment	3-11
Current Span Adjustment	3-11
Instrument Validation	3-13
Electronics Validation Procedure	3-14
Sensor Validation Procedure	3-15

Chapter 4 Troubleshooting and Repair

Troubleshooting the Flow Meter	4-1
Returning Equipment to the Factory	4-3

Appendix A Product

SpecificationsList of Figures

1-1. Series 640S Sensor Assembly	1-3
2-1. Recommended Pipe Length Requirements	2-2
2-2. Low Pressure Tap Insertion Depth	2-5
2-3. High Pressure Tap Insertion Depth	2-6
2-4. Wiring Access NEMA 4X Enclosures	2-7
2-5. Wiring Access Hazardous-Area Enclosures	2-7
2-6. AC Input Power Connections	2-8
2-7. Ferrite Clamp Installation.....	2-8
2-8. DC Input Power Connections NEMA 4X.....	2-9
2-9. DC Input Power Connections Hazardous-Area.....	2-9
2-10. DC Output Signal Wiring NEMA 4X.....	2-10
2-11. DC Output Signal Wiring Hazardous-Area.....	2-10
2-12. Load Resistance Versus Input Voltage.....	2-11
2-13. Isolated 4-20 mA Current Loop Connections	2-12
2-14. Non-Isolated 4-20 mA Current Loop Connections	2-12
2-15. Isolated 4-20 mA Current Loop Connections	2-12
2-16. Non-isolated 4-20 mA Current Loop Connections	2-12
2-17. Isolated Alarm Output Connections	2-13
2-18. Non-Isolated Alarm Connections.....	2-13
2-19. Isolated Alarm Connections	2-14
2-20. Non-isolated Alarm Output Connections.....	2-14
2-21. Remote Electronics to Sensor Connections	2-15
2-22. Sensor J-Box to Remote Enclosure Connections	2-15
2-23. Remote Electronics to Sensor Connections	2-16
2-24. Sensor J Box to Remote Enclosure Connections	2-16
2-25. Range Selection Wiring.....	2-17
2-26. Range Selection Wiring.....	2-17
3-1. Smart Electronics Device Locations	3-1
3-2. Magnetic Switch Operation	3-2
3-3. Current Adjustment Connections (Isolated).....	3-12
3-4. Current Adjustment Connections (Non-Isolated).....	3-12
3-5. Current Adjustment Connections (Isolated).....	3-12
3-6. Current Adjustment Connections (Non-Isolated).....	3-12
3-7. Electronics Validation Component Locations.....	3-13
3-8. Sensor Validation Component Locations	3-15

List of Tables

3-1. Electronics Validation Results	3-15
3-2. Sensor Validation Results	3-16

Warnings and Cautions



Warning! Agency approval for hazardous location installations varies between flowmeter models. Consult the flow meter nameplate for specific flow meter approvals before any hazardous location installation.

Warning! Hot tapping must be performed by a trained professional. U.S. regulations often require a hot tap permit. The manufacturer of the hot tap equipment and/or the contractor performing the hot tap is responsible for providing proof of such a permit.

Warning! All wiring procedures must be performed with the power Off.

Warning! To avoid potential electric shock, follow National Electric Code safety practices or your local code when wiring this unit to a power source and to peripheral devices. Failure to do so could result in injury or death. All AC power connections must be in accordance with published CE directives.

Warning! Do not power the flow meter with the sensor jumper wires disconnected. This could cause over-heating of the sensors and/or damage to the electronics.

Warning! Before attempting any flow meter repair, verify that the line is de-pressurized.

Warning! Always remove main power before disassembling any part of the mass flow meter.



Caution! Before making adjustments to the Smart Electronics device, verify the flow meter is not actively monitoring or reporting to any master control system. Adjustments to the electronics will cause direct changes to flow control settings.

Caution! All flow meter connections, isolation valves and fittings for hot tapping must have the same or higher pressure rating as the main pipeline.

Caution! Changing the length of cables or interchanging sensors or sensor wiring will affect the accuracy of the flow meter. You cannot add or subtract wire length without returning the meter to the factory for re-calibration.

Caution! When using toxic or corrosive gases, purge the line with inert gas for a minimum of four hours at full gas flow before installing the meter.

Caution! The AC wire insulation temperature rating must meet or exceed 71°C (158°F).

Caution! Printed circuit boards are sensitive to electrostatic discharge. To avoid damaging the board, follow these precautions to minimize the risk of damage:

- before handling the assembly, discharge your body by touching a grounded, metal object
- handle all cards by their edges unless otherwise required
- when possible, use grounded electrostatic discharge wrist straps when handling sensitive components

Chapter 1 Introduction

Series 640S Steel-Mass™ Mass Flow Meters

Sierra's Series 640S Smart Insertion Mass Flow Meter provides a reliable solution for gas flow measurement applications. Low-flow sensitivity, fast response and outstanding rangeability have made this model the instrument of choice for many critical gas flow applications. For stable and reliable mass flow reading, the meter's rugged Steel-Trak™ sensor automatically corrects for changes in gas temperature and pressure which eliminates the need for separate temperature and pressure transducers.

The versatile microprocessor-based transmitter integrates the functions of flow-range adjustment, meter validation and diagnostics in a probe-mounted or remotely-mounted housing. Mass flow rate and totalized flow, as well as other configuration variables are displayed on the meter's optional 2 x 12 LCD display. The meter provides an optical/galvanic isolated flow output, two alarm outputs and one contact input for range or gas selection. The programmable transmitter is easily configured via RS-232 and Sierra's Smart Interfaces software or through three push buttons built into the device.

The Series 640S is suitable for insertion into pipes or ducts from three inches up to 72 inches. The Series 640S Mass Flow Meter's simple installation combines with an easy-to-use interface that provides quick set up, long term reliability and accurate mass flow measurement over a wide range of flows and conditions.

Using This Manual

This manual provides information needed to install and operate the Series 640S Smart Insertion Mass Flow Meter. The four chapters of this manual cover these areas:

- Chapter 1 includes the introduction and product description
- Chapter 2 provides installation and wiring instructions
- Chapter 3 describes system operation and programming
- Chapter 4 covers troubleshooting and repair

The product specifications are found in Appendix A.

Note and Safety Information

We use caution and warning statements throughout this book to draw your attention to important information.



Warning!

This statement appears with information that is important to protect people and equipment from damage. Pay very close attention to all warnings that apply to your application.



Caution!

This statement appears with information that is important for protecting your equipment performance. Read and follow all cautions that apply to your application.

Receipt of System Components

When receiving a Sierra mass flow meter, carefully check the outside packing carton for damage incurred in shipment. If the carton is damaged, notify the local carrier and submit a report to the factory or distributor. Remove the packing slip and check that all ordered components are present. Make sure any spare parts or accessories are not discarded with the packing material. Do not return any equipment to the factory without first contacting Sierra Customer Service.

Technical Assistance

If you encounter a problem with your flow meter, review the configuration information for each step of the installation, operation and setup procedures. Verify that your settings and adjustments are consistent with factory recommendations. Refer to Chapter 4, Troubleshooting, for specific information and recommendations.

If the problem persists after following the troubleshooting procedures outlined in Chapter 4, contact Sierra Instruments by fax or by E-mail (see inside front cover). For urgent phone support you may call (800) 866-0200 or (831) 373-0200 between 8:00 a.m. and 5:00 p.m. PST. In Europe contact Sierra Instruments bv at +31 20 6145810. When contacting Technical Support, make sure to include this information:

- the flow range, serial number and Sierra order number (all marked on the meter nameplate)
- the software version (visible at start up)
- the problem you are encountering and any corrective action taken
- application information (gas, pressure, temperature and piping configuration)

The Series 640S Flow Sensing Principle

Sierra's unique Steel-Trak™ sensor probe is responsible for the unsurpassed accuracy, ruggedness and reliability of Sierra industrial flow meters. The immersible Steel-Trak sensor consists of two sensing elements—a velocity sensor and a temperature sensor that automatically corrects for changes in gas temperature.

When power is applied to the flow meter, the transducer electronics heats the velocity sensor to a constant temperature differential above the gas temperature and measures the cooling effect of the gas flow. The electrical power required to maintain a constant temperature differential is directly proportional to the gas mass flow rate.

Both sensors are reference-grade platinum resistance temperature detectors (RTDs). The platinum RTD wire is wound on a rugged ceramic mandrel for strength and stability. Steel-Trak sensors are clad in a rugged, sealed 316 stainless steel encasement.

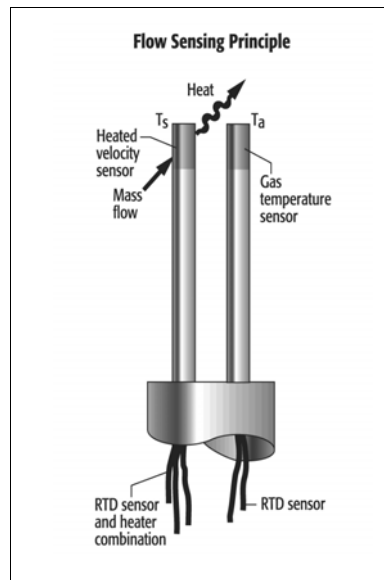


Figure 1-1. Series 640S Sensor Assembly

Smart Electronics Features

Instrument Validation

Two simple tests offer full “field-validation” of your Smart mass flow meter. The first test checks the system electronics, linearization and microprocessor functionality and is performed by injecting a known input value and confirming that the flow meter outputs the expected value. The second test verifies that the instrument’s primary sensing elements have not drifted or shifted from their original calibration and is accomplished by measuring the resistance of the velocity and temperature sensors and comparing the results to the NIST-traceable calibration data provided with the flow meter. Together, these tests confirm that your meter is working correctly and the calibration variables did not drift, shift or change values.

Dual Range or Dual Gas Calibration (Optional)

Select one of two factory calibrated flow ranges using a simple external customer-supplied single contact closure.

User Full Scale Flow Rate

Field-configure from 50% to 100% of the factory full scale setting (factory full scale is normally set to 125% of the user-specified maximum flow rate). This adjustment can be made for each flow range.

Alarms

Program high and low or window alarm limits independently for each flow range. The solid state contacts are isolated with one common.

K-Factor Correction

Change the calibration correction factor to compensate for flow profile disturbances or specific application conditions. The K-factor is a multiplication factor applied to the linearized flow signal. You may set the K-factor individually for each flow range.

Dual Output Signals

Smart flow meters offer two separate linear output signals proportional to flow, 0-5 VDC (0-10 VDC optional) and 4-20 mA. The 4-20 mA output can be field-configured as an active loop powered by the flow meter or an optically isolated passive loop requiring an external power supply.

Totalizer

With the optional LCD display, actual mass flow appears on line 1 and the totalized flow on line 2 both in the user-specified engineering units. The totalizer counts only the selected range and when ranges are switched, the value of the non-selected range is stored in memory. You may reset the totalizer using the device buttons or by using a hand-held magnet.

Zero and Span Outputs

Validate and adjust the settings to ensure output circuits are correct. **Time Response Delay**

Select from a low response for faster tracking to a high response for a smoother output.

Enclosure Options

Flow meter electronics are available mounted directly to the flow body, or remotely mounted up to 200 feet (60 meters) away. The electronics housing may be used indoors or outdoors.

Display options include a 2 x 12 character LCD display of mass flow rate including totalized mass, or a single-digit LED located on the device printed circuit board. Local operation and reconfiguration is accomplished using the magnetic switches on the display or push buttons on the device. Smart electronics include nonvolatile memory that stores all configuration information. The memory allows the flow meter to function immediately upon power up, or after an interruption in power.

Smart Interface™ Software

Sierra's Smart Interface Windows™-based software is available for connecting your PC directly to the mass flow meter. An RS-232 serial cable along with floppy disks containing the program and system files are available from the factory. See the Smart Interface User Guide included with the software for operating instructions.

Chapter 2 Installation

Installation Overview

**Warning!**

Agency approval for hazardous location installations varies between flow meter models. Consult the flow meter nameplate for specific flow meter approvals before any hazardous location installation.

The Series 640S flow meter is factory calibrated to the specific pipe size shown on the meter's Certificate of Calibration. The factory calibration eliminates the task of calculating the average flow across the pipe to determine the correct insertion depth. Simply insert the flow meter sensor to the centerline position of the pipe. (If the pipe size differs from the meter's calibrated size, return the meter to the factory for recalibration.)

When selecting an installation site, make sure that:

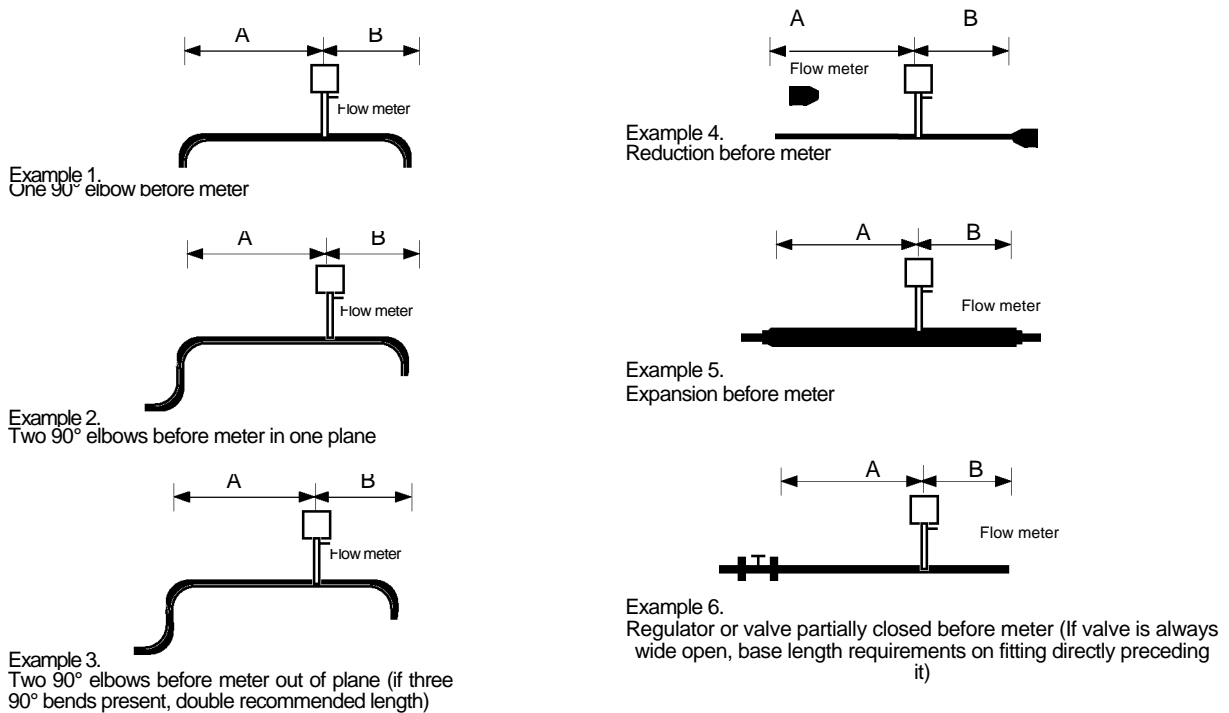
1. Line pressure and temperature will not exceed the flow meter rating. Temperature should not vary more than 200°F (100°C) around the calibration temperature. Line pressure should not vary more than 50 psi (3.4 bar) around the calibrated pressure.
2. The gas temperature and the ambient temperature added together do not equal more than 320°F (142°C). If it does, use a remote sensor probe.
3. The location meets the required minimum number of pipe diameters upstream and downstream of the sensor head (see Figure 2-1 on the next page).
4. Safe and convenient access with adequate clearance. Also, verify the meter is located where the gas is clean and dry and the meter is calibrated for the gas to be measured.
5. When using a CSA, FM or EEx approved flow meter, verify that the cable entry into the instrument meets the specific standard required for that approval.
6. For remote installations, verify the supplied cable length is sufficient to connect the flow meter sensor to the remote electronics. (Do not extend or shorten the supplied cable between the probe and the electronics.)

Also, before installation check your flow system for anomalies such as:

- leaks
- valves or restrictions in the flow path that could create disturbances in the flow profile that might cause unexpected flow rate indications
- heaters that might cause rapid excursions in the measured temperature

Unobstructed Flow Requirements

Select an installation site that will minimize possible distortion in the flow profile. Valves, elbows, control valves and other piping components may cause flow disturbances. Check your specific piping condition against the examples shown below. In order to achieve accurate and repeatable performance install the flow meter using the recommended number of straight run pipe diameters upstream and downstream of the sensor.



Example	A – Upstream ⁽¹⁾ Requirements	B – Downstream ⁽²⁾ Requirements
1	15 D	5 D
2	20 D	5 D
3	40 D	10 D
4	15 D	5 D
5	30 D	10 D
6	40 D	5 D

(1) Number of diameters (D) of straight pipe required between upstream disturbance and the flow meter.
 (2) Number of diameters (D) of straight pipe required downstream of the flow meter.

Figure 2-1. Recommended Pipe Length Requirements for Installation

Installing the Flow Meter

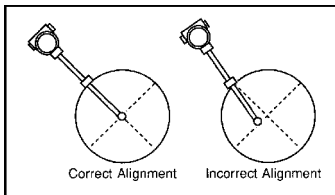
When positioning the flow meter, refer to the flow direction indicator attached to the probe. For proper operation, install the meter with the flow direction indicator pointing downstream in the direction of flow. Installing the meter opposite this direction will result in inaccurate flow measurement.

Cold Tap Installation

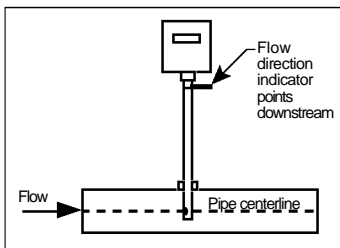


Caution!

When using toxic or corrosive gases, purge the line with inert gas for a minimum of four hours at full gas flow before installing the flow meter.



NOTE: Probe may enter the pipe from any direction as long as the tips are in the center.



1. Confirm that the installation site meets the minimum upstream and downstream pipe diameter requirements shown in Figure 2-1.
2. **Turn off the flow of process gas. Verify that the line is not pressurized.**
3. Use a cutting torch or sharp cutting tool to tap into the pipe. The pipe opening must be at least 0.78 inches in diameter. (Do not attempt to insert the sensor probe through a smaller hole.)
4. Remove all burrs from the tap. Rough edges may cause flow profile distortions that could affect flow meter accuracy. Also, obstructions could damage the sensor assembly when inserting into the pipe.
5. Mount the compression or flange fitting on the pipe. Make sure this connection is within $\pm 5^\circ$ perpendicular to the pipe centerline as shown at left.
6. When installed, cap the fitting. Run a static pressure check on the connection. If pressure loss or leaks are detected, repair the connection and re-test.
7. Insert the sensor probe through the compression or flange fitting into the pipe. The correct insertion depth places the centerline of the sensor access hole in the probe at the pipe's centerline.
8. Align the sensor head using the flow direction indicator. Adjust the indicator parallel to the pipe pointing downstream in the direction of flow.
9. Tighten the fitting to lock the flow meter in position. (When a compression fitting is tightened, the position is permanent unless using Teflon ferrules.)
10. If needed, adjust the optional display to the desired orientation. See page 2-6.

Hot Tap Installation



Warning!

Hot tapping must be performed by a trained professional. U.S. regulations often require a hot tap permit. The manufacturer of the hot tap equipment and/or the contractor performing the hot tap is responsible for providing proof of such a



Caution!

All flow meter connections, isolation valves and fittings for hot tapping must have the same or higher pressure rating as the main pipeline.

When positioning the flow meter, refer to the flow direction indicator attached to the probe. For proper operation, install the meter with the flow direction indicator pointing downstream in the direction of flow. Installing the meter opposite this direction will result in inaccurate flow measurement. Low pressure hot taps cannot exceed 100 psig (7 barg) maximum. High pressure hot taps cannot exceed 1000 psig (70 barg) maximum. Make sure the pipe pressure does not exceed these limits before beginning this procedure.

1. Confirm that the installation site meets the minimum upstream and downstream pipe diameter requirements shown in Figure 2-1.
2. Calculate the flow meter insertion depth as shown in Figure 2-2 for a low pressure tap or Figure 2-3 for a high pressure tap.
 1. Weld the process connection on the pipe. Make sure the process connection is within $\pm 5^\circ$ perpendicular to the pipe centerline (see previous page). The pipe opening must be at least 0.88 inches (22 mm) in diameter.
 2. Bolt an isolation valve on the process connection. The valve's full open bore must be at least 0.88 inches (22 mm) in diameter.
 3. Hot tap the pipe.
 4. Close the isolation valve. Run a static pressure. If pressure loss or leaks are detected, repair the connection and re-test.
 5. Insert the sensor probe through the isolation valve into the pipe with the flow direction indicator parallel to the pipe pointing downstream in the direction of flow. The correct insertion depth places the sensor at the pipe's centerline. Do not force into the pipe.
 6. Tighten the fittings to lock the flow meter in position. If needed, adjust the optional display to the desired orientation. See page 2-6.

Calculating Insertion Depth for a Low Pressure Tap

Variables

L = Nominal probe length

D = Duct O.D.

C = Duct I.D.

T = Height of “Threadolet” or customer provided “Weldolet”

Formula

$$L \geq 12 + D/2 + T$$

L must be equal or greater than 12 inches plus the height of the “Threadolet” plus half the duct O.D. (*All dimensions in inches.*)

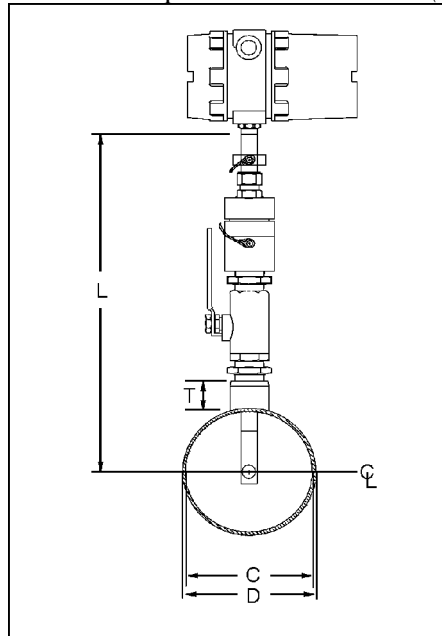


Figure 2-2. Low Pressure Tap Insertion Depth

Calculating Insertion Depth for a High Pressure Tap

Variables

S = Distance from face of mounting flange to outside of duct

D = Duct O.D.

P = Minimum probe length

T = Minimum probe travel

R = Allowable probe travel

IN = Inserted position (marker location)

RE = Retracted position (marker location)

Formulas

- 1) $P = D/2 + S + 6.75$ (minimum probe length—use next longer whole number length probe)
- 2) $T = D/2 + 0.54$
- 3) $R = 28.2 - [\text{actual probe length} - S - (D/2)]$ (must be greater than or equal to T)
- 4) $IN = (\text{actual probe length} + 2) - (5.5 + S + D/2)$
- 5) $RE = IN + T$

(All dimensions in inches.)

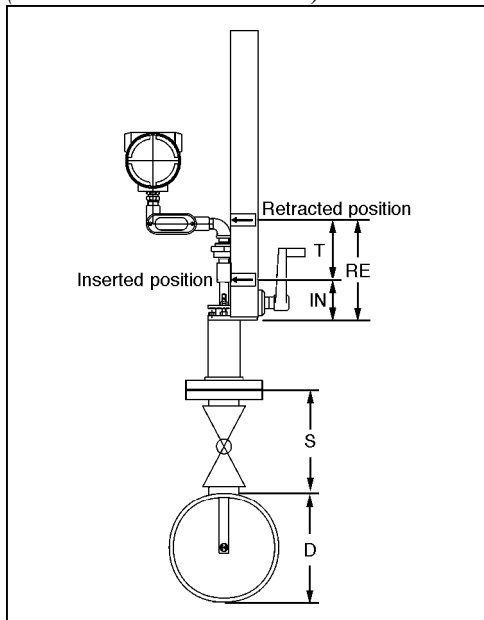


Figure 2-3. High Pressure Tap Insertion Depth

Changing Display Orientation (Hazardous-Area Enclosures Only)

Depending on installation requirements, you may want to change the orientation of the optional display.

1. Use a 1/16-inch hex key to loosen the set screw securing the larger end of the enclosure. Turn cover counterclockwise and remove.
2. Remove 4 screws and standoffs from the display. Release the latch securing the display ribbon cable connector from the display board.
3. Rotate the display board to the desired position. Re-connect the ribbon cable to the display board.
4. Replace the 4 screws and standoffs. Replace the enclosure cover. Tighten set screw.

Wiring Connections



Warning!

To avoid potential electric shock, follow National Electric Code safety practices or your local code when wiring this unit to a power source and to peripheral devices. Failure to do so could result in injury or death. All AC power connections must be in accordance with published CE directives.

For NEMA 4X enclosures, use TB2 for power and signal connections, TB 1 is for sensor connections.

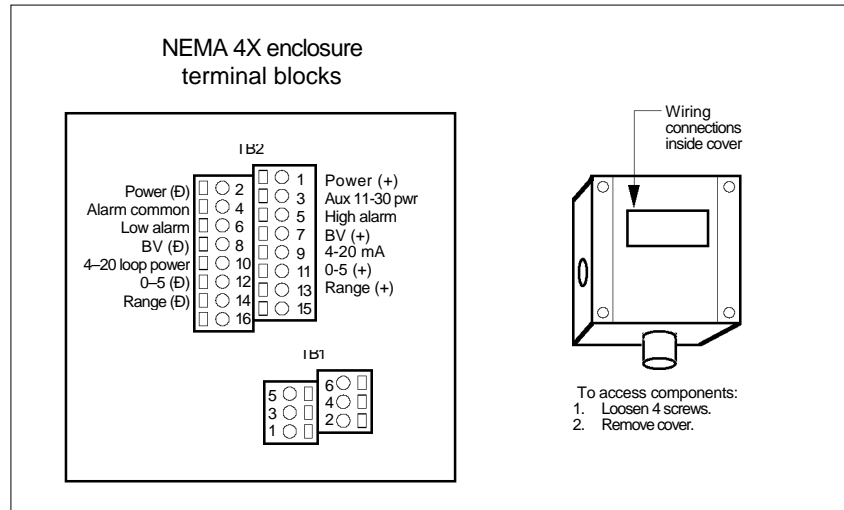


Figure 2-4. Wiring Access NEMA 4X Enclosures

For Hazardous-Area enclosures, use the terminal blocks located inside the smaller end of the flow meter enclosure for all wiring connections. Make sure to observe all CE compliance requirements for AC wiring connections given on the next page.

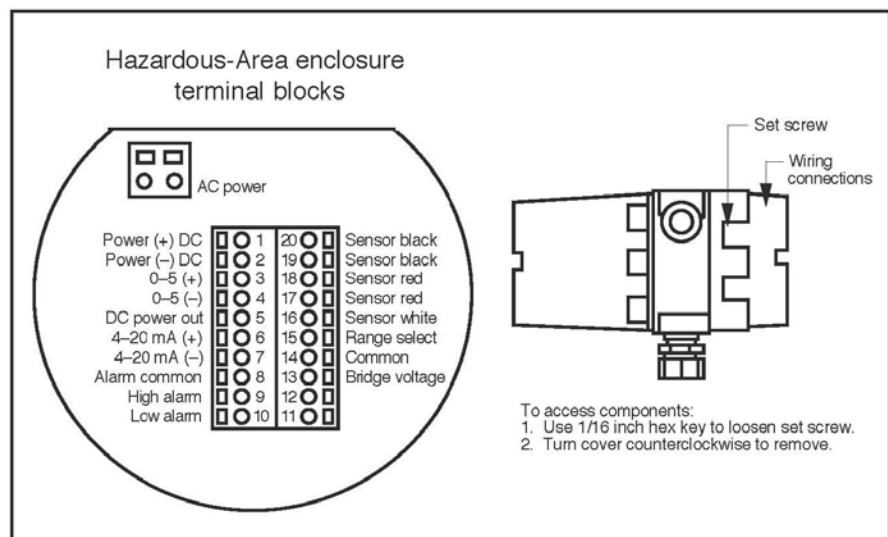


Figure 2-5. Wiring Access Hazardous-Area Enclosures

Input Power Wiring



Warning!

All wiring procedures must be performed with the power Off.



Caution!

The AC wire insulation temperature rating must meet or exceed 71 °C (158°F).

AC Power Wiring

The AC power wire size must be 26 to 16 AWG with the wire stripped 1/4 inch (6 mm). Connect 100 to 240 VAC (300 mA load, maximum) to the Neutral and Line terminals on the small, two-position terminal block. Connect the ground wire to the safety ground lug. Torque all connections to 4.43 to 5.31 in-lbs (0.5 to 0.6 Nm).

For all installations not using solid metal conduit, the ferrite clamp must be installed just above the input power wire entry into the enclosure (Figure 2-7). All EEx installations must use an approved EEx fitting at both cable entries into the enclosure. If conduit seals are used, they must be installed with 18 inches of the enclosure.

The Hazardous-Area enclosure has two separate conduit entries to maintain separation between AC input power and output signal wiring. To eliminate the possibility of noise interference use a separate cable entry for the AC power and signal lines.

Figure 2-6. AC Input Power Connections

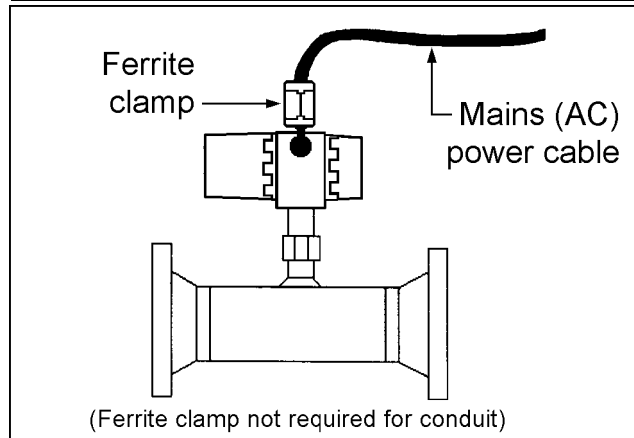
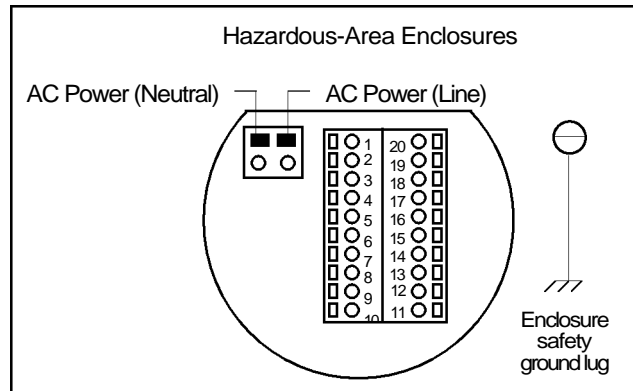


Figure 2-7. Ferrite Clamp Installation


Warning!
All wiring procedures must be performed with the power Off.

DC Power Wiring

The DC power wire size must be 26 to 16 AWG with the wire stripped 1/4 inch (6 mm). Connect 18 to 30 VDC (625 mA load, maximum) to the terminals marked PWR+ and PWR- on the terminal block. Torque all connections to 4.43 to 5.31 in-lbs (0.5 to 0.6 Nm).

All EEx installations must use an approved EEx fitting at both cable entries into the enclosure. If conduit seals are used, they must be installed within 18 inches of the enclosure.

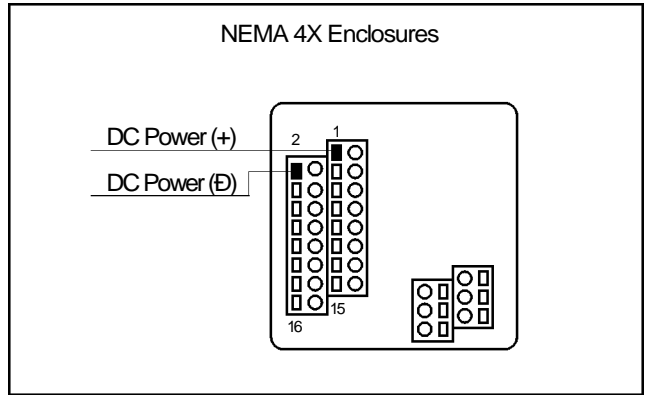
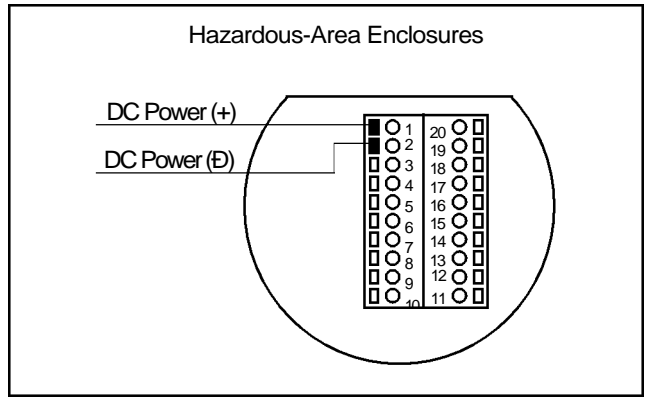


Figure 2-8. DC Input Power Connections

Figure 2-9. DC Input Power Connections



Output Signal Wiring

Output signal cable should be completely screened with a 100% shield. You must use metal cable glands that provide cable screen clamping. The cable screen should be connected to the gland and shielded at both ends over 360 degrees. The shield should be terminated to an earth ground.

All Series 640S flow meters are equipped with either a calibrated 0-5 VDC (0-10 VDC optional) or a calibrated 4-20 mA output signal. This linear output signal represents 0-100% of the flow meter's user full scale.

DC Output Wiring

The 0-5 VDC (0-10 VDC optional) signal can drive a minimum load of 1000 Ohms. Note: the optional 0-10 VDC output signal is not available for power sources below 15 VDC.

For 0-5 VDC or 0-10 VDC connections, connect to the terminals marked Vout (+) and Vout (⊖) as shown below.

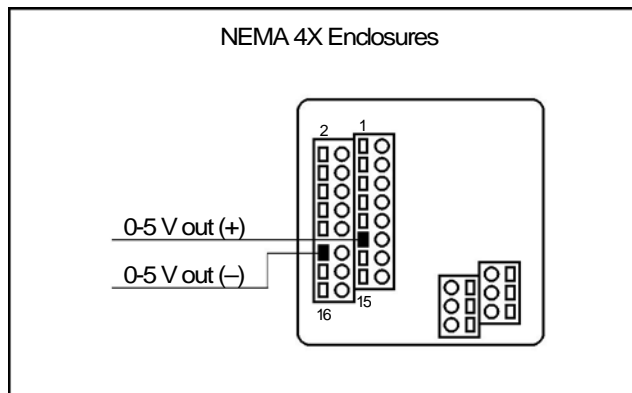


Figure 2-10. DC Output Signal Connections

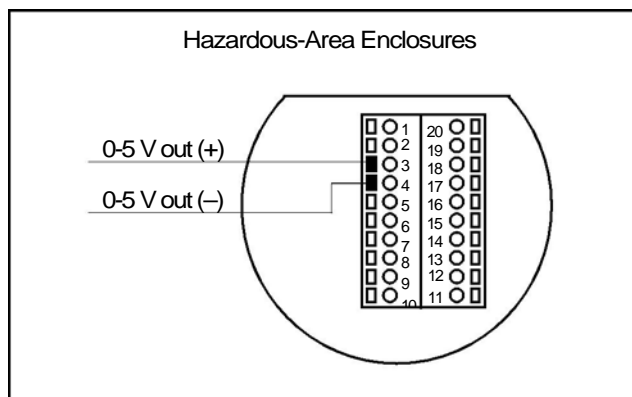


Figure 2-11. DC Output Signal Connections

4-20 mA Output Wiring

The 4-20 mA current loop output can be self-powered (non-isolated) or externally powered (isolated). To use the 4-20 mA isolated output, an external 12 to 36 VDC power supply is required. The maximum loop resistance (load) for both types of current loop outputs is dependent upon the supply voltage and is given in Figure 2-12. For non-isolated outputs the loop voltage (V_s) is equal to the input voltage if DC powered. If AC powered, the loop voltage (V_s) is 24 VDC.

R_{load} is the total resistance in the loop, including the wiring resistance. To calculate R_{max} , the maximum R_{load} for the loop, use the maximum loop current, 20 mA. The voltage drop in the loop due to resistance is 20 mA times R_{load} and this drop is subtracted from the input voltage. Thus:

$$R_{max} \text{ the maximum load resistance} = 50 * (V_{supply} - 7.5V)$$

To use an external power supply for an isolated 4-20 mA output, connect as shown in Figure 2-13 or Figure 2-15. For an internally powered, non-isolated 4-20 mA output, connect as shown in Figure 2-14 or Figure 2-16.

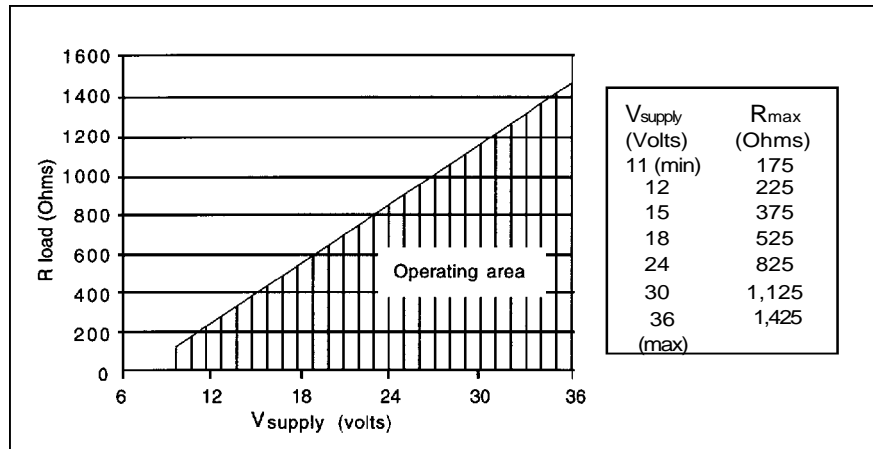


Figure 2-12. Load Resistance Versus Input Voltage

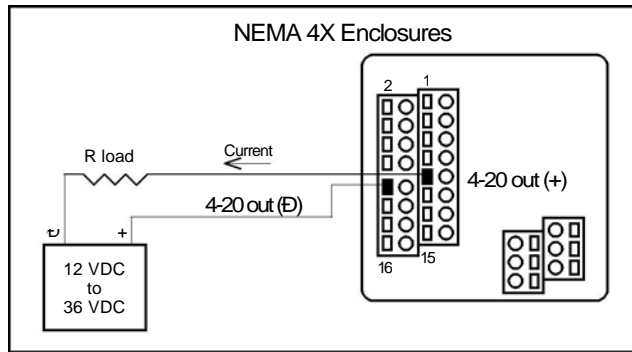


Figure 2-13. Isolated 4-20 mA Current Loop Connections

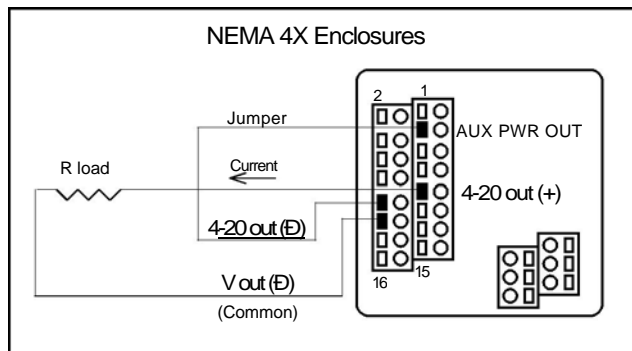


Figure 2-14. Non-Isolated 4-20 mA Current Loop Connections

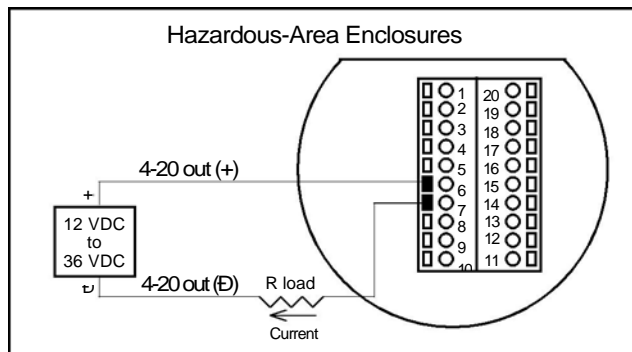


Figure 2-15. Isolated 4-20 mA Current Loop Connections

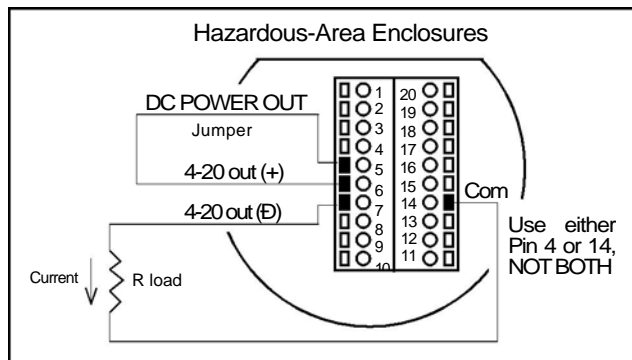


Figure 2-16. Non-Isolated 4-20 mA Current Loop Connections

Alarm Output Wiring

Two alarm outputs (Low Alarm and High Alarm) are included on the flow meter terminal block. The alarm outputs use optical relays that are normally-open single-pole relays with one common connection.

There are two connection options for alarm outputs—the first with a separate power supply (isolated) and the second using the flow meter power supply (non-isolated). Use the first option with a separate power supply if a specific voltage is needed for the alarm output. Use the second (non-isolated) configuration if the voltage at the flow meter’s power supply is an acceptable driver voltage for the load connected. (Take into account that the current used by your alarm loads have to come from the flow meter’s power supply.) In either case, the voltage of the alarm output is the same as the voltage supplied to the circuit.

To use an external power supply for an isolated alarm output, connect as shown in Figure 2-17 or Figure 2-19. To use the internally powered, non-isolated alarm output connect as shown in Figure 2-18 or Figure 2-20. For a window alarm connect both outputs together.

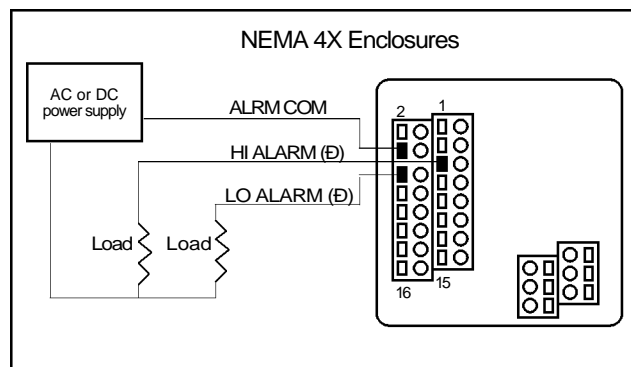


Figure 2-17. Isolated Alarm Output Connections

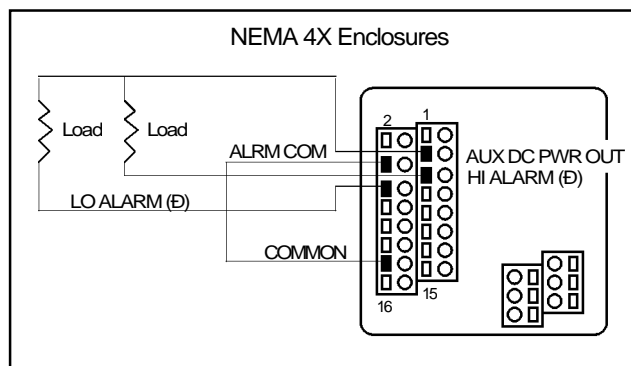


Figure 2-18. Non-Isolated Alarm Connections

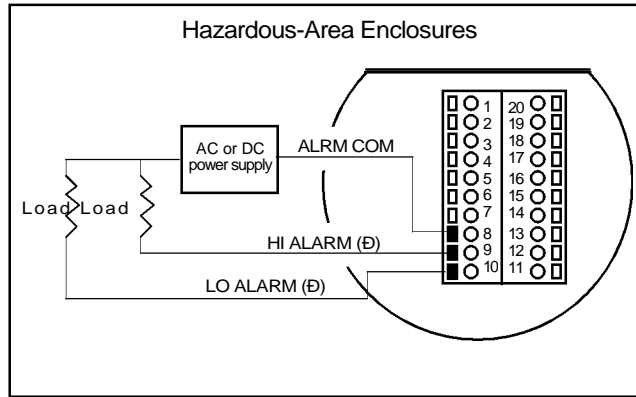


Figure 2-19. Isolated Alarm Output Connections

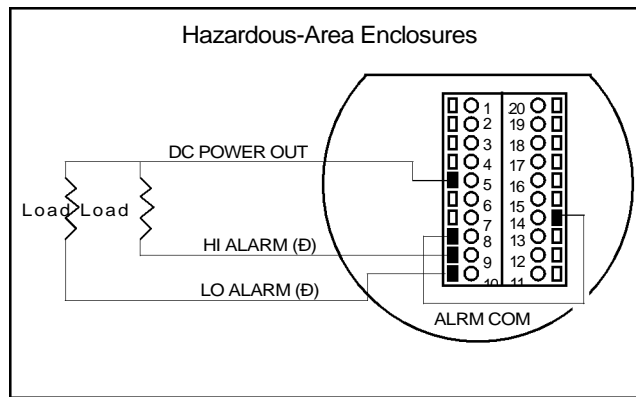


Figure 2-20. Non-Isolated Alarm Connections

Remote Sensor Probe Wiring

When connecting the sensor probe to a remotely mounted flow meter enclosure, use only factory supplied cables. When connecting more than one meter, do not intermix the sensor probes and electronics. The electronics, sensor probes and interconnecting cables supplied by Sierra Instruments are calibrated as a complete precision mass flow circuit.

To connect the sensor probe to a remotely mounted electronics enclosure, see Figure 2-21 or Figure 2-23. To make wiring connections from a sensor probe junction box to a remotely mounted enclosure, see Figure 2-22 or Figure 2-24.

Figure 21. Remote Electronics Enclosure to Sensor Connections

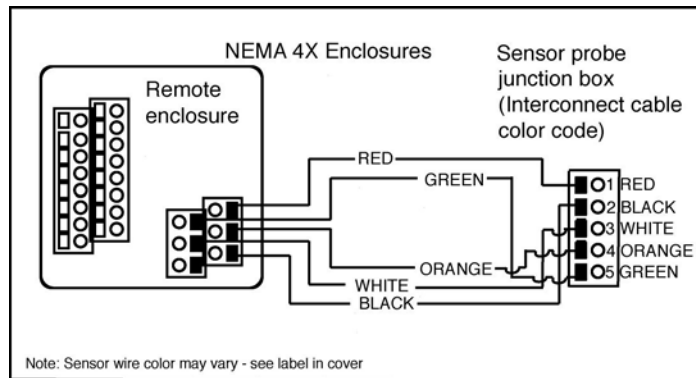
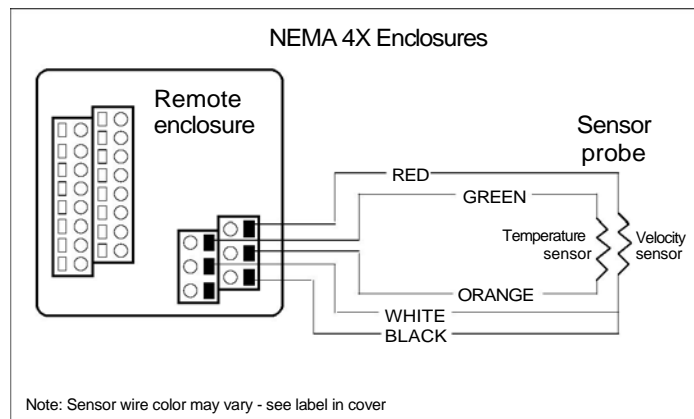


Figure 2-22. Sensor Junction Box to Remote Enclosure Connections

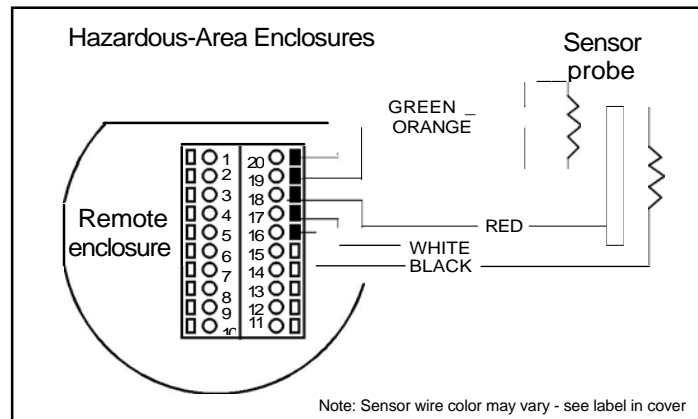


Figure 2-23. Remote Electronics to Sensor Connections

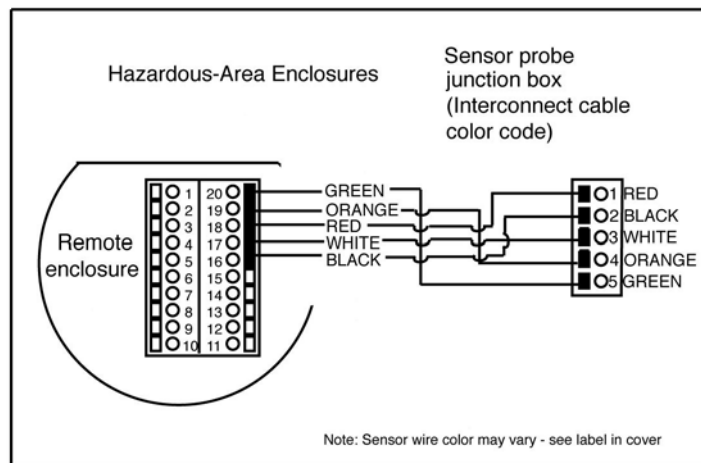


Figure 2-24. Sensor Junction Box to Remote Enclosure Connections

Range Selection Wiring

To access range selection, connect two wires on the terminal strip as shown below. When the switch is closed the device changes to Range 2. Opening the switch returns the device to Range 1.

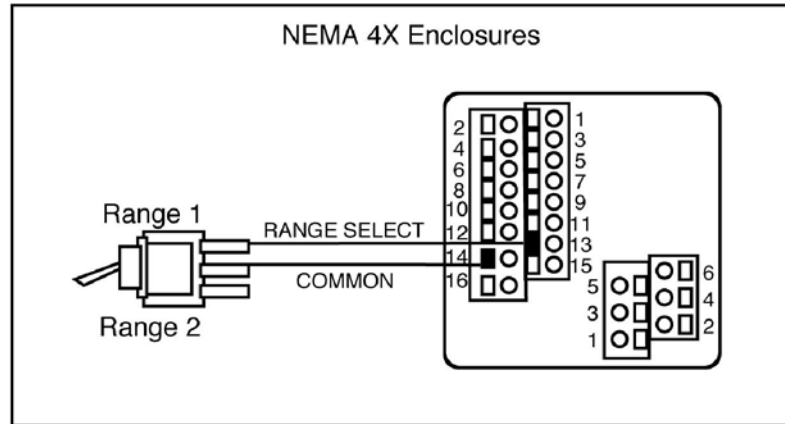


Figure 2-25. Range Selection Wiring

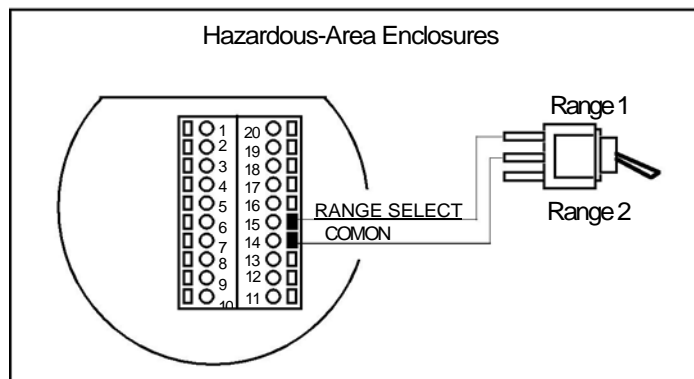


Figure 2-26. Range Selection Wiring

Chapter 3 Operation

This chapter covers flow meter operation, programming and instrument validation procedures. All instructions include directions for using either the optional LCD display or the internal Smart electronics device for programming. If your meter is not equipped with the optional display, you will need a good quality digital voltmeter or multimeter for programming and validation procedures.

Flow Meter Start Up

When applying power to a flow meter equipped with the optional LCD display you will see the product name, the software version, unit serial number, the range number, the user full scale (UFS), the current flow rate and the totalized flow. Any active alarm will flash on the screen every few seconds.

When applying power to a flow meter without the display, the Smart electronics on-board single-digit LED flashes the revision number of the software in a series of 3 digits followed by the range number. The range number continues to flash every three seconds thereafter.

Record Factory-Set Parameters

You may view parameters using the optional LCD front panel display or by selecting functions on the single-digit LED and viewing the meter's 0-5 VDC output with a digital voltmeter (DVM).

For meters with the LCD display, use a hand-held magnet or the device buttons to select the FUNCTION key. When FUNCTION is selected, the display prompts for a password. Select FUNCTION again to skip the password to view and record the factory settings. To make changes, at the password prompt use the UP arrow until the number 11 is displayed. Select FUNCTION again to continue.

For flow meters without the display, remove the enclosure cover to access the Smart electronics device. Connect the DVM as described on the following pages and record the factory-set parameters.

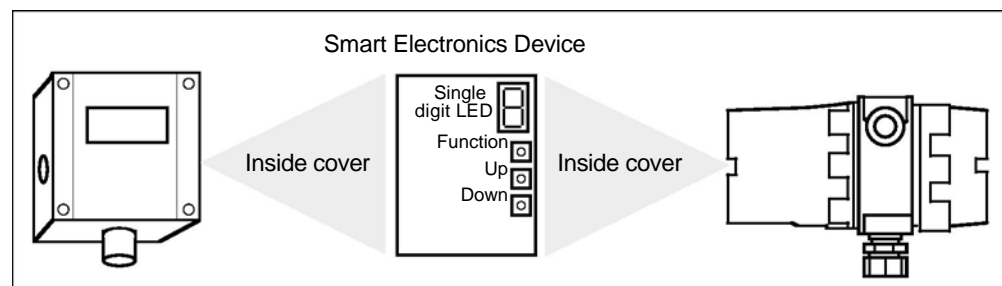


Figure 3-1. Smart Electronics Device Locations

Using the Smart Electronics Basic Features



Caution!

Before making any adjustment to the Smart electronics device, verify the flow meter is not actively monitoring or reporting to any master control system. Any adjustment to the electronics will cause direct changes to flow control settings.

This section covers the basic features of the Smart electronics and includes instructions on:

- entering alarm parameters
- changing the user full scale
- adjusting the K-factor
- adjusting the time response speed
- resetting the totalizer

To access the meter's advanced features of zero and span, turn to page 3-11. Instrument validation procedures begin on page 3-13.

Note: when programming the instrument, after 12 seconds of non-activity the meter returns to the Run Mode with any new settings immediately in effect. For units without a display, if the unit "times-out" press the FUNCTION button *only* to resume adjustments.

Hazardous-Area Enclosure Optional LCD Display

For units with the optional display, you may program the meter without opening the enclosure using the magnetic switches to enter the desired system settings.

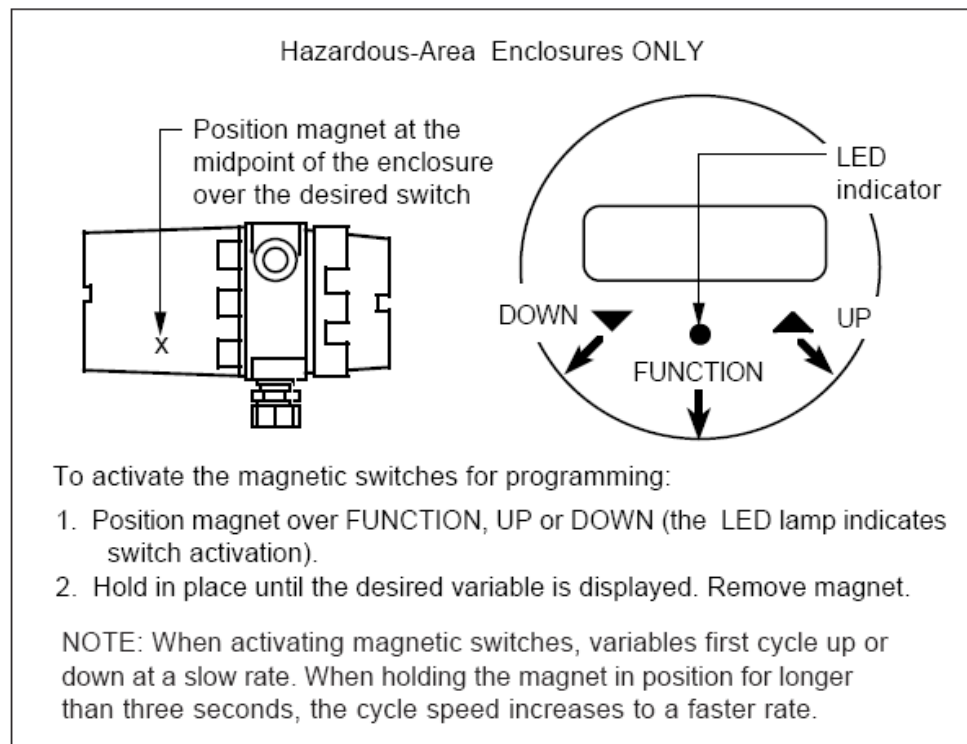
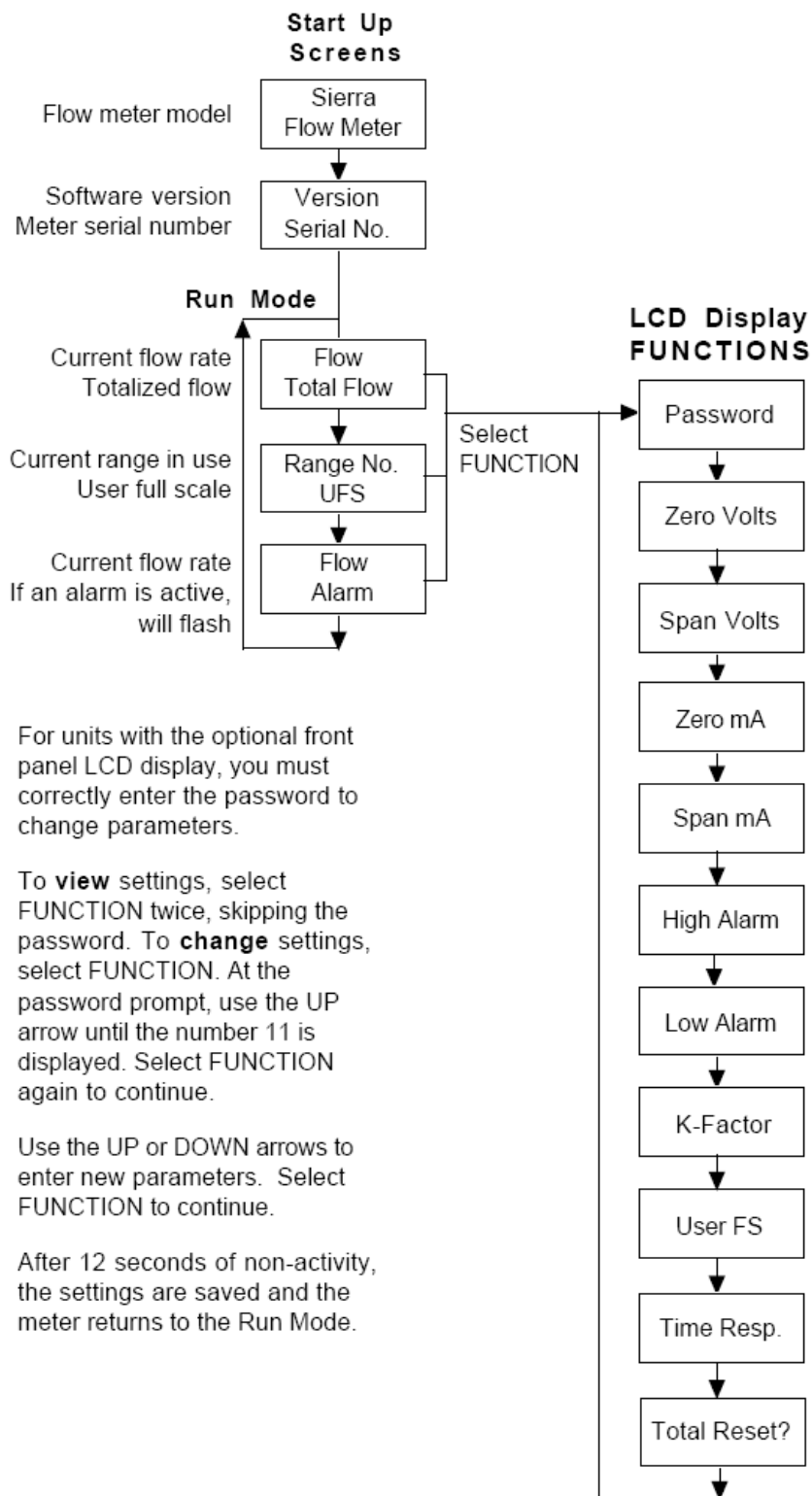


Figure 3-2. Magnetic Switch Operation

LCD Display Programming Menu



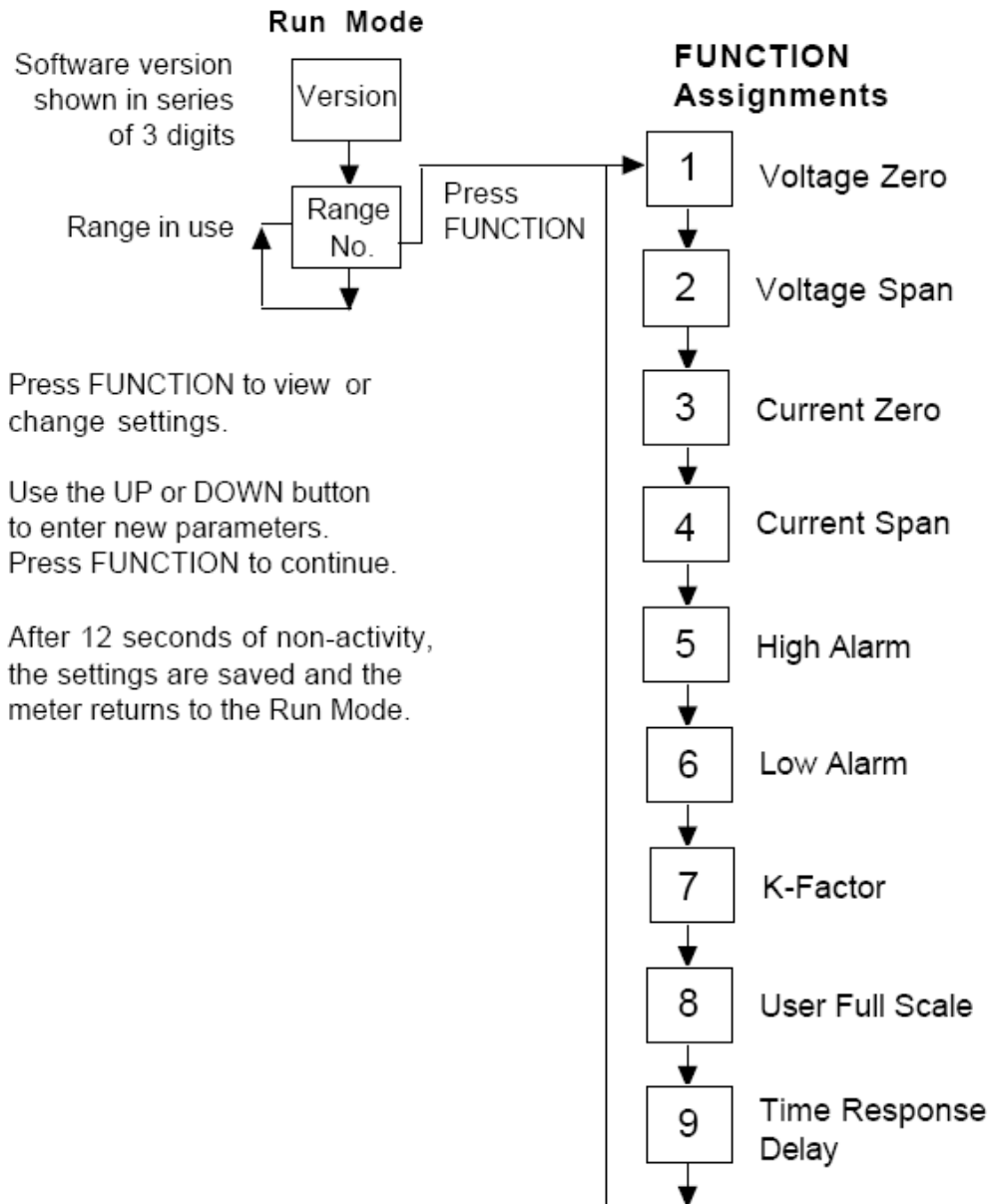
For units with the optional front panel LCD display, you must correctly enter the password to change parameters.

To **view** settings, select FUNCTION twice, skipping the password. To **change** settings, select FUNCTION. At the password prompt, use the UP arrow until the number 11 is displayed. Select FUNCTION again to continue.

Use the UP or DOWN arrows to enter new parameters. Select FUNCTION to continue.

After 12 seconds of non-activity, the settings are saved and the meter returns to the Run Mode.

Single-Digit LED Programming Menu



**Caution!**

The flow meter must not be reporting or measuring gas flow during adjustments.

Entering Alarm Parameters

Use the High Alarm and Low Alarm function to set or adjust alarm trip points. The alarms have a minimum hysteresis of 3% to avoid "chattering." When setting a window alarm, the alarm set points must be at least twice the hysteresis value apart. We suggest at least a 10% separation between window alarm setpoints. If you choose not to use the high alarm for a specific alarm function, Sierra recommends that you set the high alarm at 100% of the user full scale setting which creates an "over-range" indicator. Your flow meter will continue to indicate flow and generate a signal if the flow is over the maximum range, but will not operate within the specified accuracy.

Entering Alarms using the LCD Display

Enter alarms setpoints directly in engineering units.

1. Select the desired range. Select FUNCTION, enter the password. Select FUNCTION again until *High Alarm* or *Low Alarm* appears on the display.
2. Use UP or DOWN to enter the high or low alarm setpoint value in engineering units.
3. Select FUNCTION to advance to the next option, or after 12 seconds of non-activity the meter returns to the Run Mode and the new parameters are in effect.

Entering Alarms using the Single-Digit LED

When using a DVM to set alarms, the setpoint is a percentage of the flow meter's user full scale.

$$\text{VOLTS} = (\text{ALARM PERCENT} \times 5.0)$$

If you want to alarm at 25% of user full scale, used in Step 3 below, press the UP or DOWN button until 1.25 VDC is present on the DVM. If you want to alarm at 75% of user full scale, press the UP or DOWN button until 3.75 VDC is present on the DVM.

1. Set the DVM to voltage mode and connect between Vout+ and Vout- on the flow meter terminal block.
2. Select the desired range. Press the FUNCTION button until a solid "5" (high alarm) or solid "6" (low alarm) appears on the LED.
3. Adjust the UP or DOWN button until the DVM indicates the desired setpoint voltage as described above.
4. Press FUNCTION again to advance to the next option, or after 12 seconds of non-activity the meter returns to the Run Mode and the new alarm parameters are in effect.

K-Factor Adjustment



Caution!

The flow meter must not be reporting or measuring gas flow during adjustments.

Entering a K-factor adjusts the meter's output signal without affecting the factory calibration curve. Use the K-factor calibration offset for *additional* flow profile compensation (the factory includes an initial flow profile correction in the calibration curve of the unit).

Entering a K-factor using the LCD Display

A K-factor value of 1.000 means the output value is not affected and is the factory default setting. You may enter any number from 0.500 to 5.000.

1. Select the desired range. Select FUNCTION, enter the password. Select FUNCTION again until *K-factor* appears on the display.
2. Use UP or DOWN to enter the desired K-factor value in engineering units.
3. Select FUNCTION to advance to the next option, or after 12 seconds of non-activity the meter returns to the Run Mode and the new K-factor is in effect.

Entering K-factor using the Single-Digit LED

A K-factor value of 1.000 VDC means the output value is not affected and is the factory default setting. You may enter any value from 0.500 to 5.000 VDC in Step 3 below. If the device indicated output is 3.0 VDC and you know it should be 3.8 VDC then you could “force” the output to the desired 3.8 VDC by adjusting the K-factor to indicate 1.27 VDC ($1.27 = 3.8/3.0$). Use this formula to determine the desired K-factor voltage:

$$\text{VOLTS} = \text{DESIRED} / \text{INDICATED}$$

1. Set the DVM to voltage mode and connect between Vout+ and Vout- on the flow meter terminal block.
2. Select the desired range. Press the FUNCTION button until a solid “7” appears on the LED.
3. Adjust the UP or DOWN button until the DVM indicates the desired K-factor value as described above.
4. Press FUNCTION to advance to the next option, or after 12 seconds of non-activity the meter returns to the Run Mode and the new K-factor is in effect.

**Caution!**

The flow meter must not be reporting or measuring gas flow during adjustments.

User Full Scale Adjustment

The user full scale (UFS) feature adjusts the flow meter output range anywhere within 50% to 100% of the factory full scale (FFS). This feature allows you to re-range the voltage or current output of the meter to accommodate different flow rates. Note: when entering a new user full scale setting for Range 2, it cannot be less than 10% of the Range 1 user full scale.

Changing the User Full Scale using the LCD Display

The factory full scale is shown on the flow meter label. If you want a UFS equal to the FFS, adjust the display to match the FFS. If you want to use 50% of FFS, adjust the display to read 50% of the FFS.

1. Select the desired range. Select FUNCTION, enter the password. Select FUNCTION again until *User Full Scale* appears on the display.
2. Use UP or DOWN to enter the desired UFS value in engineering units.
3. Select FUNCTION to advance to the next option, or after 12 seconds of non-activity the meter returns to the Run Mode and the new UFS is in effect.

Changing the User Full Scale using the Single-Digit LED

If the FFS is set to 11,000 sfpm and UFS is set to output 5.0 VDC, or 100%, the flow meter will indicate 5.0 VDC when 11,000 sfpm is present on the probe. If you want 6,000 sfpm for UFS, used in Step 3 below, adjust the UFS to 6000/11000 or 54.55% of factory full scale. Adjust the voltage to 2.73 VDC ($2.73 = 5 \times .5455$). Use this formula to determine the desired UFS voltage:

$$\text{VOLTS} = 5 \times \text{User Full Scale} / \text{Factory Full Scale}$$

1. Set the DVM to voltage mode and connect between Vout+ and Vout- on the flow meter terminal block.
2. Select the desired range. Press the FUNCTION button until a solid "8" appears on the LED.
3. Adjust the UP or DOWN button until the DVM indicates the desired user full scale as described above.
4. Press FUNCTION to advance to the next option, or after 12 seconds of non-activity the meter returns to the Run Mode and the new UFS is in effect.

Time Response Delay Adjustment

Changing the Time Response Delay using the LCD Display

1. Select FUNCTION, enter the password. Select FUNCTION again until *Time Response* appears on the display.
2. Use UP or DOWN to adjust the time response delay from 0.10 to 7.2 seconds.
3. Select FUNCTION again to advance to the next option, or after 12 seconds of non-activity the meter returns to the Run Mode and the new time response setting is in effect.

Changing the Time Response Delay using the Single-Digit LED

1. Set the DVM to voltage mode and connect between Vout+ and Vout- on the flow meter terminal block. Select the desired range. Press the FUNCTION button until a solid “9” appears on the LED.
2. Adjust the UP or DOWN button until the DVM indicates the desired voltage (as shown in the following table).

Volts Indicated on DVM	Time Response (Seconds)	Volts Indicated on DVM	Time Response (Seconds)	Volts Indicated on DVM	Time Response (Seconds)	Volts Indicated on DVM	Time Response (Seconds)
0.5	0.1	1.0	0.3	1.5	0.5	2.0	0.7
2.5	1.2	3.0	1.8	3.5	2.4	4.0	3.6
4.5	4.8	5.0	7.2				

3. Press FUNCTION to advance to the next option, or after 12 seconds of non-activity the meter returns to the Run Mode and the new time response delay setting is in effect.

Totalizer Reset

If your device is equipped with the optional LCD display, reset the totalizer using the magnetic switches or device buttons. If you are unable to open the flow meter enclosure, use a magnet to reset the totalizer as shown below.

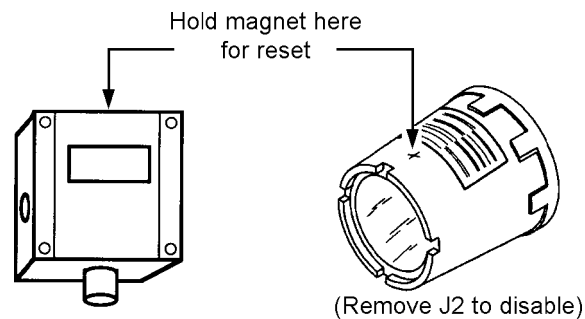
Reset the Totalizer using the LCD Display

1. Select the desired range. Select FUNCTION, enter the password. Select FUNCTION again until *Total Reset?* appears on the display.
2. Select the UP button and then the DOWN button until the display reads “Resetting Totalizer.”

Reset the Totalizer without Opening the Enclosure

1. Position a magnet above the enclosure until the display reads “Resetting Totalizer.”

For Hazardous-Area enclosures only: To disable the magnetic reset function of the totalizer, remove jumper (J2) from the PCB at the location shown below. (You may not disable the magnetic reset switch on NEMA 4X enclosures.)



**Caution!**

The flow meter must not be reporting or measuring gas flow during adjustments.

Using the Smart Electronics Advanced Features

Zero and span (Function 1 through 4) can be used to validate system operation and calibrate the digital to analog signals on the Smart electronics device. Additionally, these functions can compensate for resistance in long signal cables connected to your data collection or indicating system.

**Caution!**

Adjusting zero or span will affect meter calibration.

Voltage Zero Adjustment

You must use a certified digital voltmeter to adjust zero and span as the voltmeter acts as a standard. Record the current values as shown on the LCD display or DVM before making any changes to the zero and span settings. Note: when adjusting zero the voltage signal will be driven to 0 VDC and when adjusting span the voltage signal will be driven to 5 VDC (or 10 VDC).

If needed, use Zero Volts (Function 1) to adjust the 0-5 VDC output to 0.0 VDC, or optional 0-10 VDC to 0.0 VDC.

1. Set the DVM to voltage mode and connect between Vout+ and Vout-.
2. Select FUNCTION, enter the password (if so equipped). Select FUNCTION again until *Zero Volts* appears on the LCD display or a solid “1” appears on the LED. Adjust UP or DOWN until the DVM indicates between 0 and .01 VDC (no less than 0.005, the Smart electronics device cannot drive negative values).
3. After 12 seconds of non-activity, the meter returns to the Run Mode and the new parameter is in effect.

Voltage Span Adjustment

If needed, use Span Volts (Function 2) to adjust the 0-5 VDC output to 5.0 VDC, or optional 0-10 VDC to 10 VDC.

1. Set the DVM to voltage mode and connect between Vout+ and Vout-.
2. Select FUNCTION, enter the password (if so equipped). Select FUNCTION again until *Span Volts* appears on the LCD display or a solid “2” appears on the LED. Adjust UP or DOWN until the DVM, indicates between 4.99 and 5.01 VDC. (For 0-10 VDC devices, the target value is 9.99 to 10.01.)
3. After 12 seconds of non-activity, the meter returns to the Run Mode and the new parameter is in effect.

**Caution!**

Adjusting zero or span will affect meter calibration.

Current Zero Adjustment

The 4-20 mA output may be adjusted using a loop calibrator or a certified digital multimeter (DMM). Before making any adjustments, verify that the total loop resistance of the system is within the limits shown in Figure 2-12. For reference, record the current value of the zero setting. Note: when adjusting zero the current signal will be driven to 4 mA.

If adjustment is needed, use Zero mA (Function 3) to adjust the 4-20 mA output to 4.00 mA.

1. Refer to the connection diagram corresponding to your flow meter model on the following page. To ensure best accuracy, measure the total loop resistance of the system and size the load resistance accordingly. (4-20 mA outputs are calibrated at the factory with a 250 Ohm load resistor.) Alternatively, you may simply insert an ammeter (DMM, loop calibrator in read mode) into the existing system's current loop to read the current. (For more information on isolated and non-isolated current loop installations, see Chapter 2.)
2. Select FUNCTION, enter the password (if so equipped). Select FUNCTION again until *Zero mA* appears on the LCD display or a solid "3" appears on the LED. Adjust the UP or DOWN button until the DVM indicates between 3.95 and 4.05 mA.
3. After 12 seconds of non-activity, the meter returns to the Run Mode and the new parameter is in effect. Reconnect wires as before.

Current Span Adjustment

The 4-20 mA output may be adjusted using a loop calibrator or a certified digital multimeter (DMM). Before making any adjustments, verify that the total loop resistance of the system is within the limits shown in Figure 2-12. For reference, record the current value of the span setting. Note: when adjusting span the current signal will be driven to 20 mA.

If adjustment is needed, use Span mA (Function 4) to adjust the 4-20 mA output to 20.00 mA.

1. Connect as above in Step 1 of Current Zero Adjustment.
2. Select FUNCTION, enter the password (if so equipped). Select FUNCTION again until *Span mA* appears on the LCD display or a solid "4" appears on the LED. Adjust the UP or DOWN button until the DVM indicates between 19.95 and 20.05 mA.
3. After 12 seconds of non-activity, the meter returns to the Run Mode and the new parameter is in effect. Reconnect wires as before.

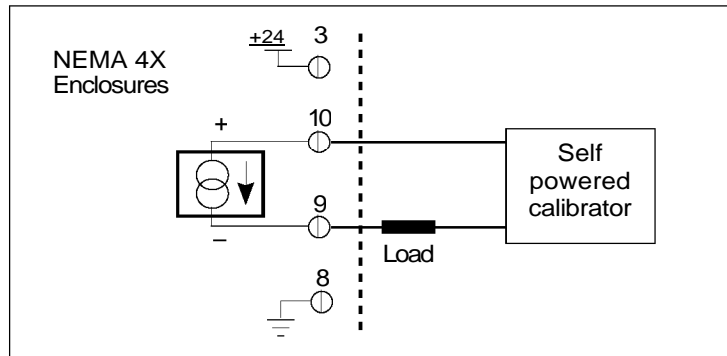


Figure 3-3. Current Adjustment Connections (Isolated)

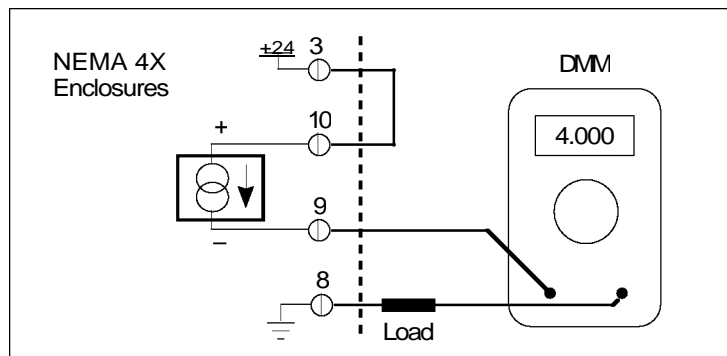


Figure 3-4. Current Adjustment Connections (Non-Isolated)

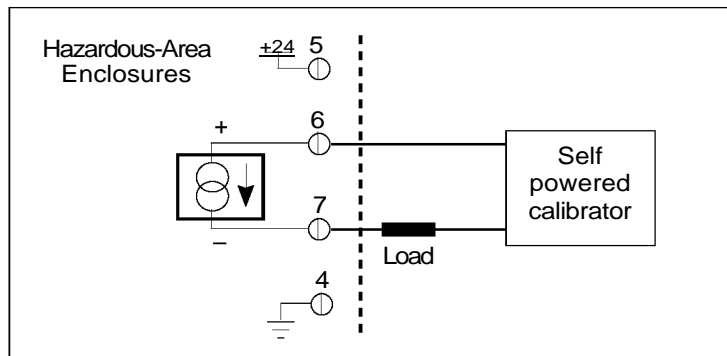


Figure 3-5. Current Adjustment Connections (Isolated)

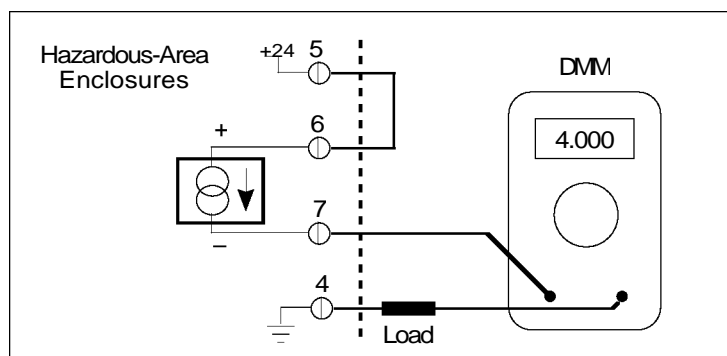


Figure 3-6. Current Adjustment Connections (Non-Isolated)

Instrument Validation

System electronics are verified by injecting a known input value and confirming that the flow meter outputs the expected value. This test confirms that the microprocessor, analog to digital and digital to analog converters, the linearizer and the display are working properly. Sensor validation is accomplished by measuring the resistance of the velocity and temperature sensors and comparing the results to the NIST-traceable calibration data provided with the flow meter. These tests confirm that your meter is working correctly and the calibration variables did not drift, shift or change values.

To perform the instrument validation procedures you will need the following equipment:

- certified digital multimeter with minimum 4 character resolution, accuracy of at least $\pm 0.1\%$ of range
- Calibration Certificate supplied with the flow meter
- small pot adjusting tool (screwdriver)

Before beginning the validation procedures, review Figure 3-7 and Figure 3-8 to familiarize yourself with the component locations.

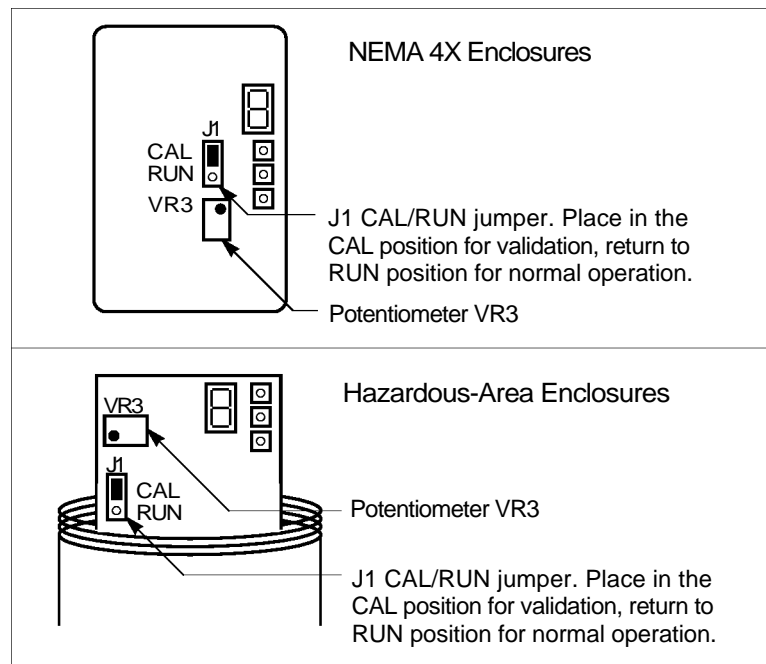


Figure 3-7. Electronics Validation Component Locations

Electronics Validation Procedure

**Caution!**

Before beginning this procedure, make sure the flow meter is not actively monitoring or reporting to any master control system. Any adjustment to the electronics will cause direct changes to flow control settings.

1. Verify the flow meter is off line from any remote communications. Make sure the meter's user full scale setting is the same as the factory full scale setting. If not, adjust the user full scale value as needed.
2. Locate the Calibration Certificate supplied with the flow meter. Record in Table 3-1 the five bridge voltage values, the output (VDC or mA) values and the indicated flow values.
3. Remove power from the flow meter. Remove the cover(s) of the flow meter enclosure to access the wiring terminal block and the Smart electronics device.
4. Set the multimeter to the 20 volt range. Connect to BV(+) and BV(-) terminals on the flow meter terminal block.
5. Move the J1 Cal/Run jumper on the Smart electronics device to the CAL position. Locate potentiometer VR3 on the Smart electronics device. Turn on power to the flow meter.
6. Adjust potentiometer VR3 until the multimeter matches the first bridge voltage point (the value must be ± 0.002 VDC of the bridge voltage point).
7. Record the resulting flow shown on the optional LCD display in Table 3-1. If not using a display or if you prefer to validate one of the analog output signals, move the multimeter + connection to Vout (+). Record the resulting output voltage in Table 3-1. If using a 4-20 mA calibrated meter, set the multimeter to read current and connect the meter to read the mA signal in your connected loop. Record the resulting current output in Table 3-1.
8. Repeat Step 6 and Step 7 to record the results of the remaining four bridge voltage validation points in Table 1. Compare the values recorded in Table 3-1. Indicated values must be within the flow meter's stated accuracy shown on the Calibration Certificate.
9. When data collection is complete, turn off power to the flow meter. Disconnect the multimeter from the flow meter terminal block.
10. Place the J1 Cal/Run jumper in the RUN position. Make sure the jumper is securely in place before resuming flow meter operation. Replace the flow meter cover(s).

Calibration		Certificate		Values	Validation Test			Results
Sample Point	Bridge Voltage	Indicated Flow	Output (V or mA)	Indicated Flow (LCD)	Flow Meter Stated Accuracy	Output (V or mA)	Flow Meter Stated Accuracy	
0%								
25%								
50%								
75%								
100%								

Table 3-1. Electronics Validation Results

Sensor Validation Procedure

1. Locate the Ro temperature (measured resistance at 0°C) value and the Alpha value shown on the Calibration Certificate supplied with the flow meter.
2. **Turn off power to the flow meter. Allow a 6 minute cool-down before continuing.**
3. Remove the cover of the flow meter enclosure to access the sensor connection points. Remove the four-position jumper from J5, J6, J7 and J8 (see below for location).



Caution!

Do not power the flow meter with the sensor jumper disconnected. This could cause over-heating of the sensors and/or damage to the electronics.

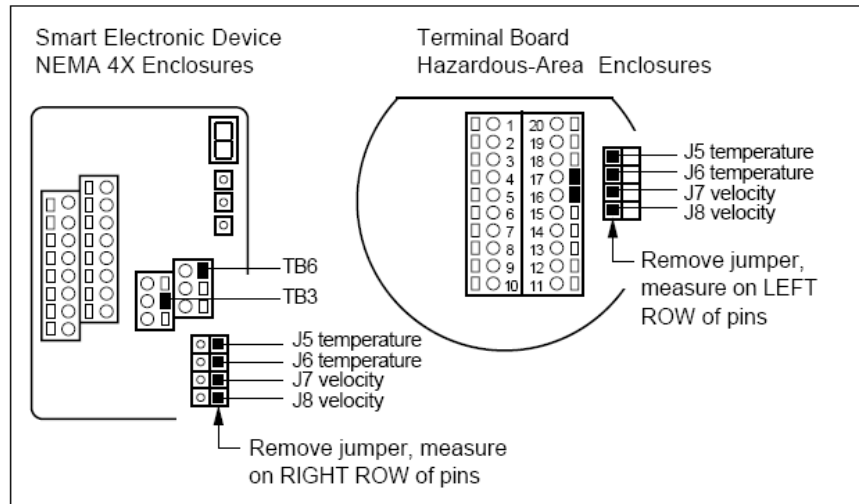


Figure 3-8. Sensor Validation Component Locations

4. Set the multimeter to read Ohms in the 200 Ohm range. Connect to TB3 and TB6 on NEMA 4X enclosures or TB17 and TB18 on Hazardous-Area enclosures. Measure the cable resistance between the terminals. Record the resistance (in Ohms) in Column 1 of Table 3-2.
5. Set the multimeter to read Ohms in the 2K range. Connect to terminals of J5 and J6 (temperature sensor). Measure the resistance between J5 and J6. Record the temperature sensor resistance (in Ohms) in Column 2 of Table 3-2.
6. Set the multimeter to read in the 200 Ohm range. Connect the multimeter to terminals of J7 and J8 (velocity sensor). Measure the resistance between J7 and J8 and record the velocity sensor resistance (in Ohms) in Column 2 of Table 3-2.
7. Calculate R_{final} by subtracting Column 1 from Column 2. Enter the value in Column 3 of Table 3-2.
8. Use the measured resistance values and the R_o and Alpha R_o values from the Calibration Certificate to calculate the temperature for each sensor as follows:

$$T = \frac{R_{final} - R_o}{\text{Alpha} \times R_o}$$

Where

T = degrees Celsius

R_{final} = measured sensor resistance

R_o = resistance at 0° C (from the Calibration Certificate)

Alpha = value unique to each sensor (from the Calibration Certificate)

9. Compare the results recorded in Column 4 of Table 3-2. The sensors are validated if they are within 10 degrees Celsius of each other.
10. Disconnect the multimeter and replace the four-position jumper on the sensor terminals. **Make sure the jumper is securely in place before applying power.** Replace cover.

Column 1	Column 2	Column 3	Column 4
Cable Resistance	Temperature Sensor Resistance	R_{final}	T (from equation)
Cable Resistance	Velocity Sensor Resistance	R_{final}	T (from equation)

Table 3-2. Sensor Validation Results

Chapter 4 Troubleshooting and Repair

Troubleshooting the Flow Meter



Caution!

Before attempting any flow meter repair, verify that the line is not pressurized.



Caution!

Always remove main power before disassembling any part of the mass flow meter.

Begin hardware troubleshooting by verifying the following facilities issues are correct. These areas impact system operation and must be corrected prior to performing any flow meter inspections.

1. Verify the incoming power to the flow meter is present and of the correct voltage and polarity.
2. Check the flow meter wiring for correct connections as described in Chapter 2.
3. Verify the flow meter is installed with the correct number of upstream and downstream pipe diameters as shown on page 2-2.
4. Verify the flow direction indicator is correctly aligned pointing downstream of flow.
5. Make sure there are no leaks in the line being measured.

After verifying the factors above, follow the troubleshooting procedures outlined on the next page. If you need to return the flow meter to the factory, see page 4-3 for return shipping instructions.

Problem	Possible Cause	Solution
Velocity measurement is erratic or fluctuating	Very erratic or non-uniform flow	Follow installation requirements shown in Chapter 2
	Flow meter installed with less than required minimum pipe diameters upstream and downstream of the sensor	Follow installation requirements shown in Chapter 2
	Insertion sensor probe not mounted securely	Sensor probe must be mounted securely without vibration
	Sensor component broken	Return to factory for replacement
	Malfunction in system electronics	Return to factory for evaluation
	Ground loop	Check wiring, see Chapter 2
	Moisture present in gas flow	Install a water trap or filter upstream of the flow sensor
Velocity measurement seems too high or low	Sensor assembly not aligned correctly to flow	Correct alignment with the flow indicator pointing downstream in the direction of flow
	Sensor probe not inserted to the proper depth	Verify sensing point is located on the centerline of the pipe
No response to flow from sensor assembly	No power	Turn on power to the flow meter
	Low flow cutoff too high	Correct low flow cutoff programming using the Smart Interface software.
	Flow rate below meter's minimum flow rating	Contact factory for instructions
	Flow has exceeded the maximum range of the flow meter	Set the user full scale to equal the factory full scale Reduce flow below the maximum range shown on the meter's nameplate or contact the factory for re-calibration advice
	Flow profile distortions	Try to find another location for the meter
	Extremely turbulent flow	Do not place the meter near a ventilator, static mixer or valve
	Sensor failure	Return to factory for evaluation
	Printed circuit assembly defective	Return to factory for evaluation

Returning Equipment to Factory

Factory Calibration—All Models

Sierra Instruments maintains a fully-equipped calibration laboratory. All measuring and test equipment used in the calibration of Sierra transducers are traceable to NIST Standards. Sierra is ISO-9001 registered and conforms to the requirements of ANSI/NCSL-Z540 and ISO/IEC Guide 25.

Instructions for Returning Your Instrument for Service

The following information will help you return your instrument to Sierra Instruments' Factory Service Center and will ensure that your order is processed promptly. Prices may vary depending on the flow range, type of gas and operating pressure of your unit. To request detailed pricing, contact your local Sierra Instruments distributor or contact one of our offices directly. Our expedite fees are: three-day turnaround 25%, two-day turnaround 40%.

Please follow these easy steps to return your instrument for factory service:

1. Obtain a Return Materials Authorization (RMA) number from Sierra Instruments. You may obtain an RMA number by three different methods.
 1. Go to <http://www.sierrainstruments.net/rma.aspx> and fill in the form. Hit Submit and print a copy of the RMA (that now includes RMA #) send a copy of the RMA form along with your meter back to the factory.
 2. Call Sierra at 800-866-0200 or +1-831-373-0200 Monday through Friday between 7:00 a.m. and 5:00 p.m.
 3. Email Customer Service for an RMA number at service@sierrainstruments.com
2. If you require service beyond calibration, but do not know which service(s) will be required, describe the symptoms as accurately as possible on the RMA form.
3. Pack your instrument carefully. Use the original packaging and foam or bubble wrap (packing peanuts NOT recommended) and include a copy of the RMA form (complete with Sierra supplied RMA number) with the unit(s). This is particularly important when shipping the medium and high flow versions. Due to their weight, they can be damaged in transit if not packed properly.
4. Ship the unit(s) to the following address:

Sierra Instruments, Inc.
Attention: Factory Service Center
5 Harris Court, Building L
Monterey, CA 93940 USA
RE: RMA# (your number)

Appendix A Product Specifications

Operating Specifications

Gases	Most gases compatible with 316L stainless steel (consult factory)
Mass Flow Rates	0 to 200 sfpm (0 to 1 nmpps) minimum, 0 to 20,000 sfpm (0 to 100 nmpps) maximum for air and nitrogen standard High velocity option to 30,000 sfpm (150 nmpps) requires special calibration and affects instrument accuracy (consult factory)
Dual Calibration	User-selectable dual ranges or two different gases
Gas Pressure	Compression fittings: 500 psig (34 barg) maximum 1-inch 150 lb flange (14° to 250°F): 185 psig (12.8 barg) maximum 1-inch 150 lb flange (14° to 450°F): 155 psig (10.7 barg) maximum, 5 to 150 psig (0.3 to 10 barg) optimum Low Pressure Hot Tap: 100 psig (7 barg) maximum High Pressure Hot Tap: 1000 psig (70 barg) maximum
Pressure Drop	Negligible for pipes three inches in diameter or larger
Gas & Ambient Temperature	Gas 14° to 250°F (–10° to 120°C); Optional 14° to 450°F (–10° to 230°C), application dependent, higher temperature available, consult factory Ambient –5° to 120°F (–20° to 50°C)
Leak Integrity	1 X 10 ⁻⁴ atm cc/sec of helium maximum
Power Requirements	18 to 30 VDC (regulated), 625 mA maximum 100 to 240 VAC, 50/60 Hz, 15 watts maximum* <small>*not available on NEMA 4X enclosures</small>
Output Signal	Linear 0-5 VDC or 0-10 VDC proportional to point mass flow rate or velocity, 1000 Ohms minimum load resistance, or Linear 4-20 mA proportional to point mass flow rate or velocity, 700 Ohms maximum resistance (power supply dependent), optically isolated (isolation is an input-to-output isolation of 1500 VAC for 1 minute)
Alarms	User-adjustable high and low alarms Deadband adjustable with Smart Interface™ software Relay rating Maximum 42 VAC or 42 VDC, 140 mA, 27 Ohm maximum on-resistance, optically isolated (isolation is an input-to-output isolation of 1500 VAC for 1 minute)

Performance Specifications

Accuracy	± 2% of reading from 10 to 100% of calibrated range ± 0.5% of full scale below 10% of calibrated range ± 2% of full scale below 50 sfpm (0.25 nmpps)
Repeatability	± 0.2% of full scale
Temperature Coefficient	± 0.02% of reading per °F within ± 50°F of customer specified conditions ± 0.03% of reading per °F within ± 50°F to 100°F of customer specified conditions ± 0.04% of reading per °C within ± 25°C of customer specified conditions ± 0.06% of reading per °C within ± 25°C to 50°C of customer specified conditions
Pressure Coefficient	Negligible when within ± 50 psig (3.4 barg) of customer specified conditions Special calibration required for higher pressures
Response Time	One second to 63% of final velocity value

Display	Alphanumeric 2 x 12 digit backlit LCD Adjustable variables via on-board buttons, magnetic switches or with Smart Interface™ software Adjustable variables..... Full scale adjustment (50 to 100%) Time delay response (0.1 to 7.2 seconds) Correction factor setting (0.5 to 5) Zero and span adjustments
Totalizer	Eight digits (9,999,999) in engineering units, resetable by user
Software	Smart Interface Windows™-based software, minimum 8 MB of RAM, preferred 16 MB of RAM, RS-232 communication

Physical Specifications

Wetted Materials	316L stainless steel
Enclosures	Hazardous-Area enclosure (IP67) and NEMA 4X (IP65) are powder-coated cast aluminum
Electrical Connections	Two 3/4 inch NPT..... Hazardous-Area (IP67) enclosure One 1/2 inch NPT.....NEMA 4X (IP65) enclosure
Mounting (optional)	ANSI 1-inch 150 lb flange 3/8-inch tube compression fitting with 1-inch male NPT Hot tap systems
Certifications	CE (all enclosures) CSA (Explosion proof for Class I, Division 1, Groups B, C, D) EEx (EEx d IIC T6 ... T2) Cenelec FM (Explosion proof for Class I, Division I, Groups B, C, D)